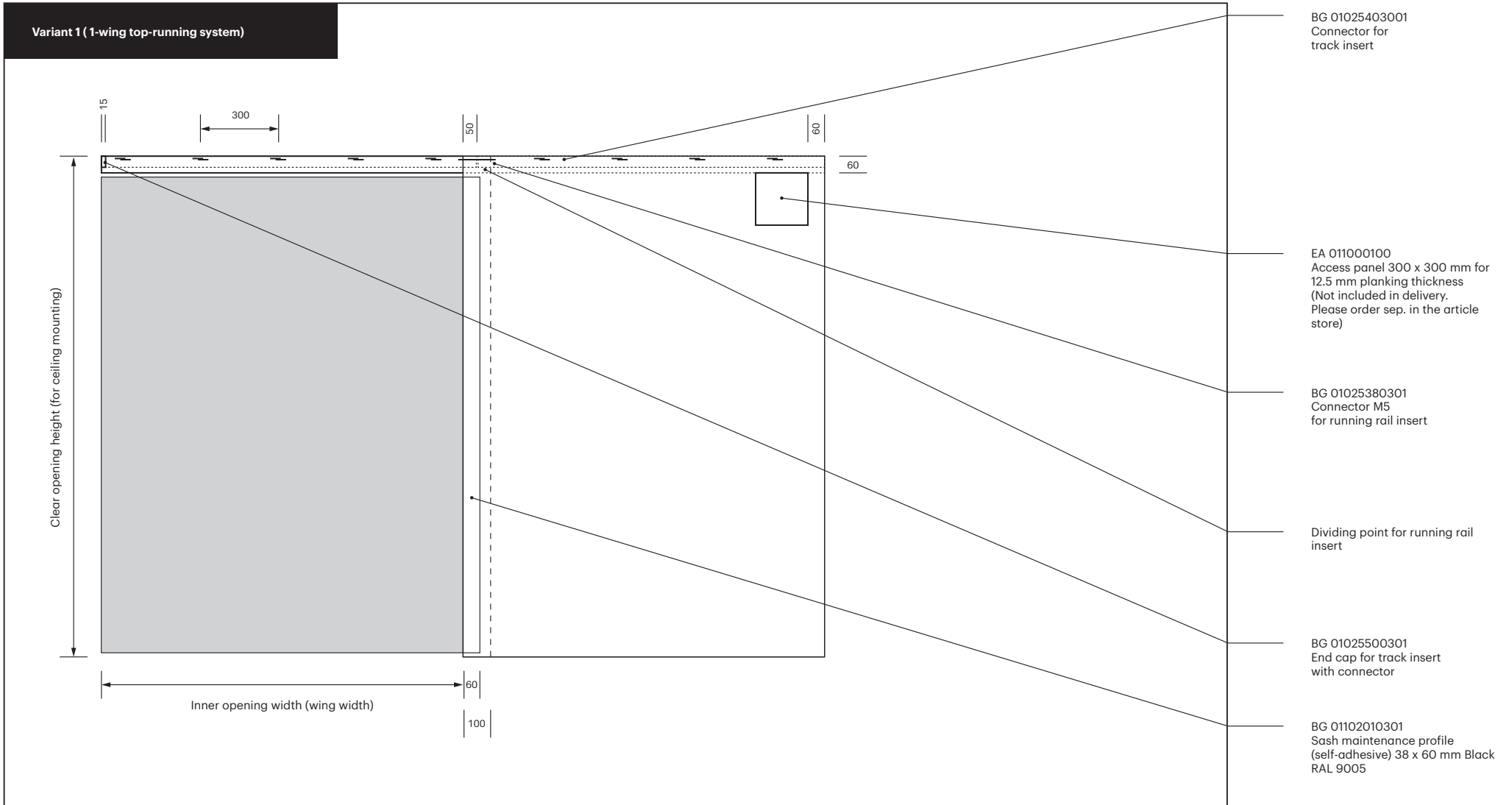


# Planning guide

## In a wall / top-running system

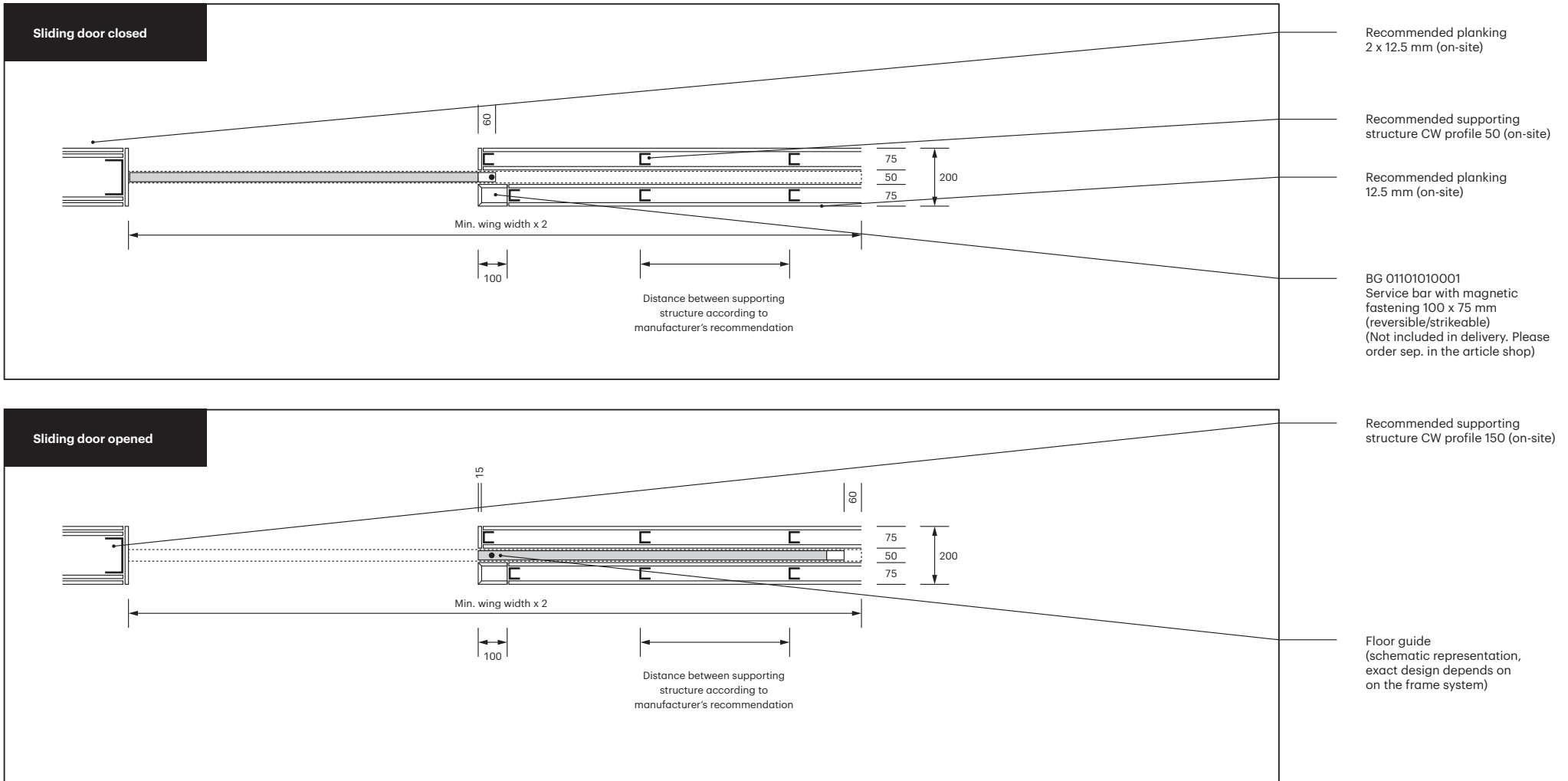
**i** All dimensions in millimeters



# Planning guide

## In a wall / top-running system

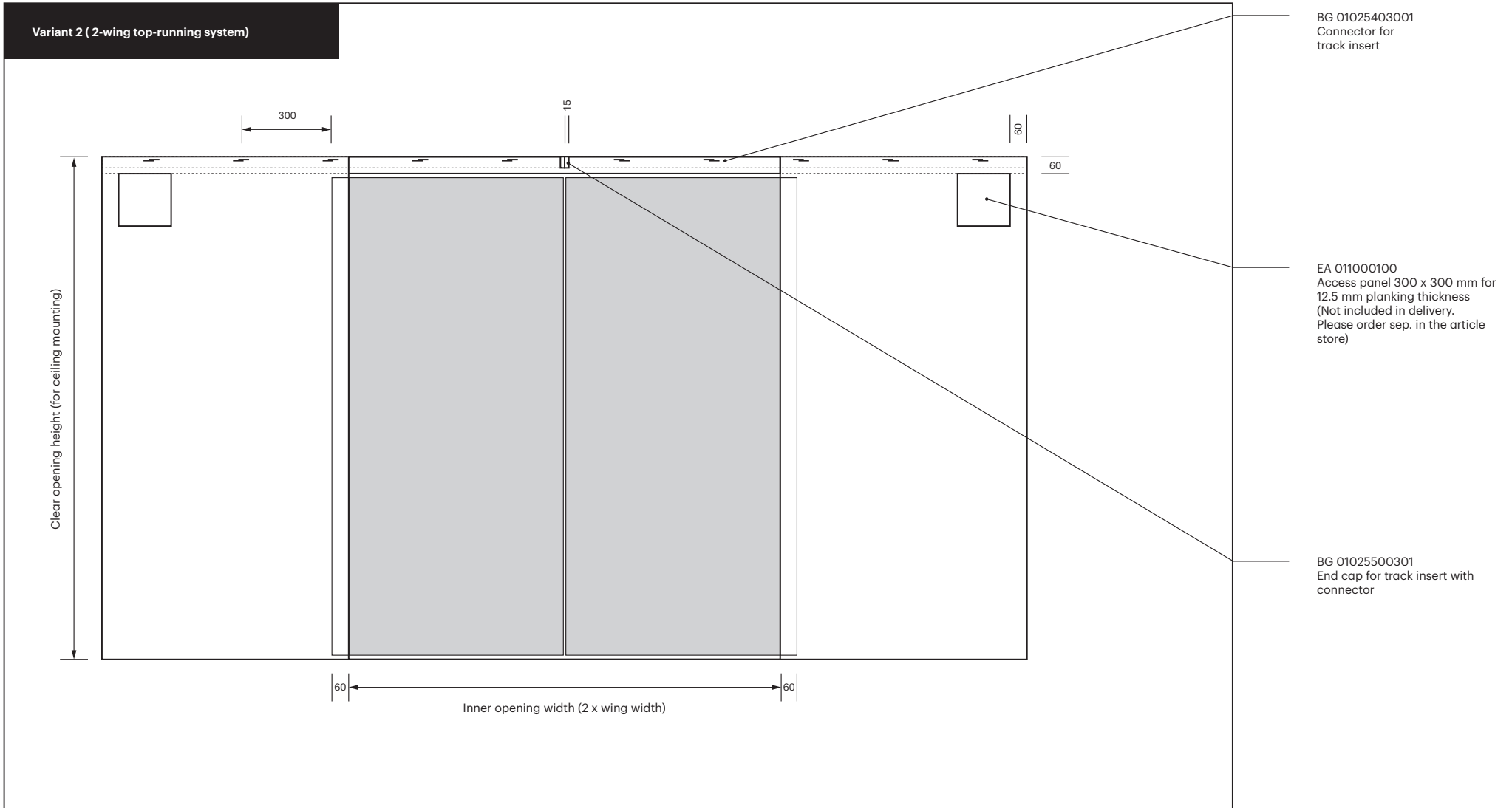
**i** All dimensions in millimeters



# Planning guide

## In a wall / top-running system

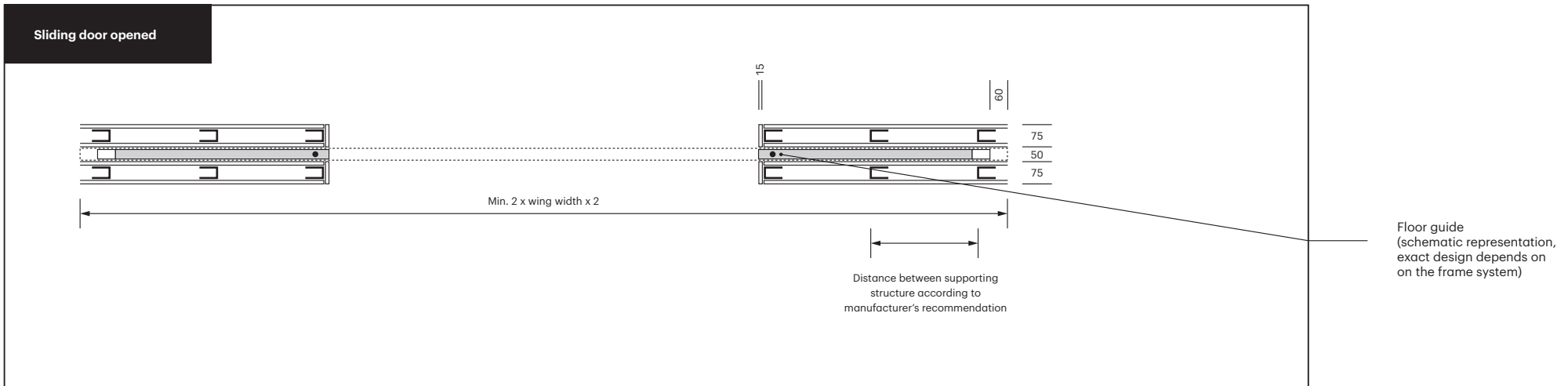
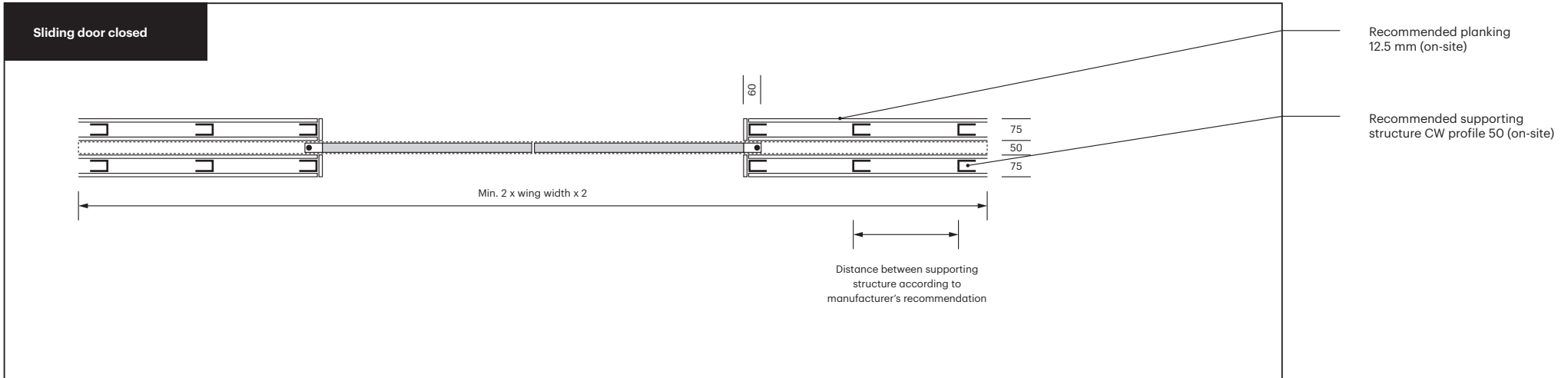
**i** All dimensions in millimeters



# Planning guide

## In a wall / top-running system

**i** All dimensions in millimeters

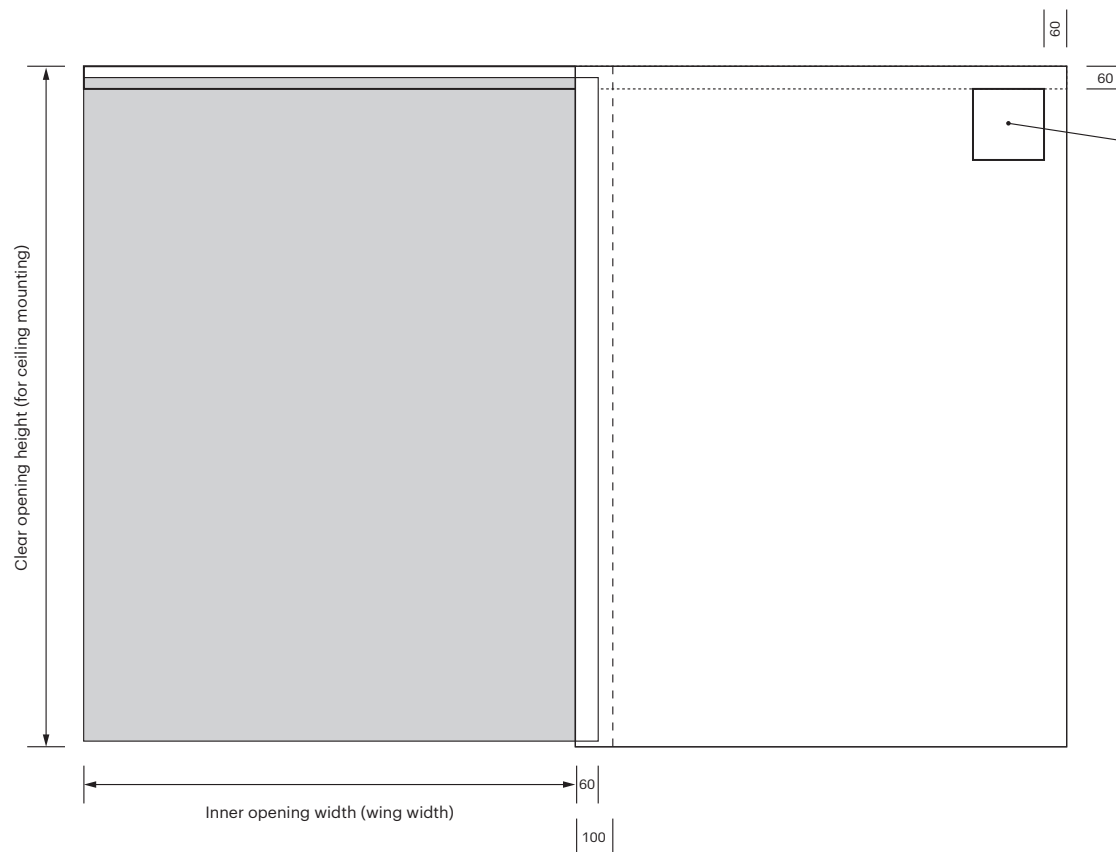


# Planning guide

## In a wall / bottom-running system

**i** All dimensions in millimeters

Variant 1 (1-wing bottom-running system)

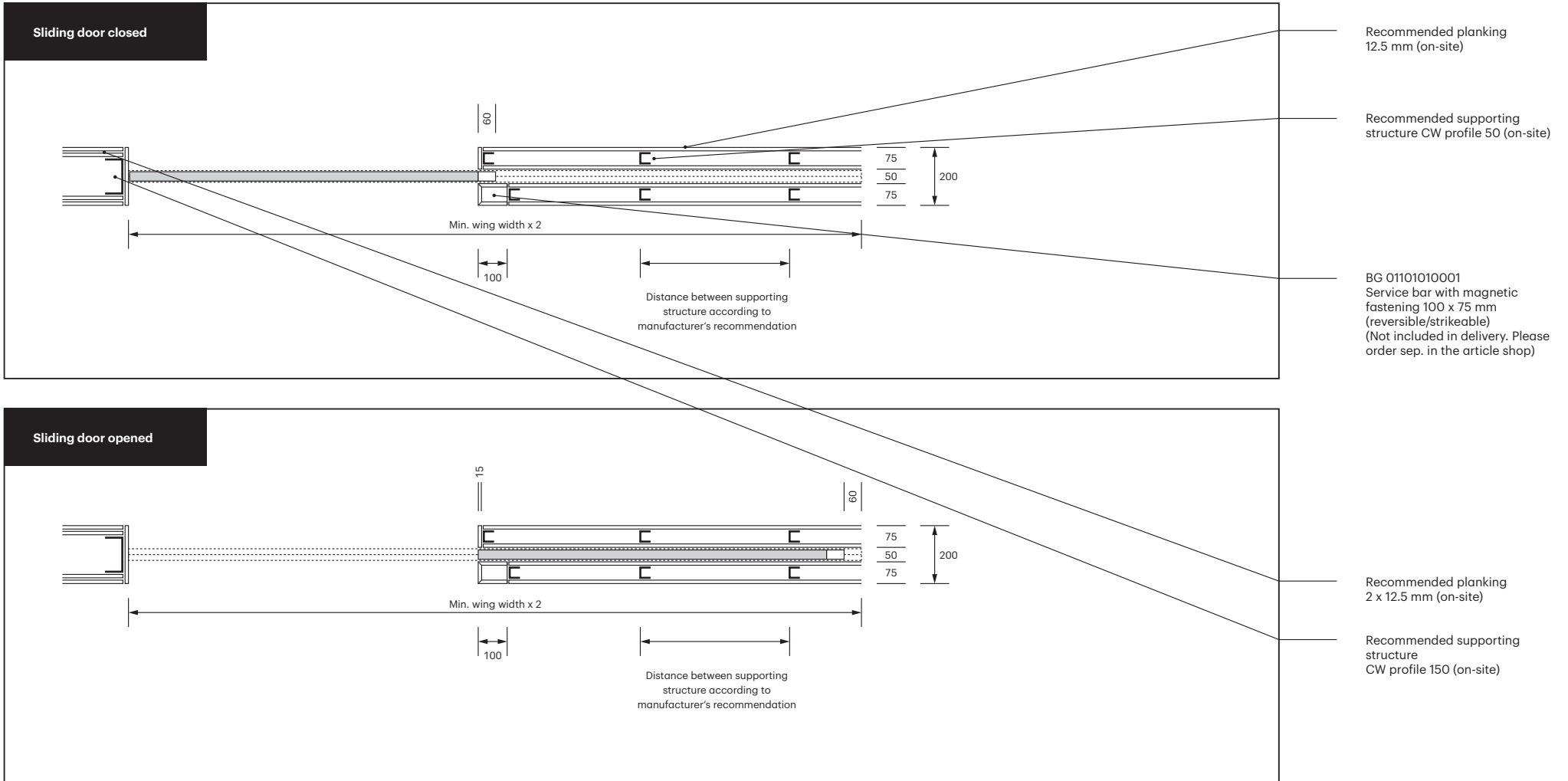


EA 011000100  
Access panel 300 x 300 mm for  
12.5 mm planking thickness  
(Not included in delivery.  
Please order separately in the  
article store)

# Planning guide

## In a wall / bottom-running system

**i** All dimensions in millimeters

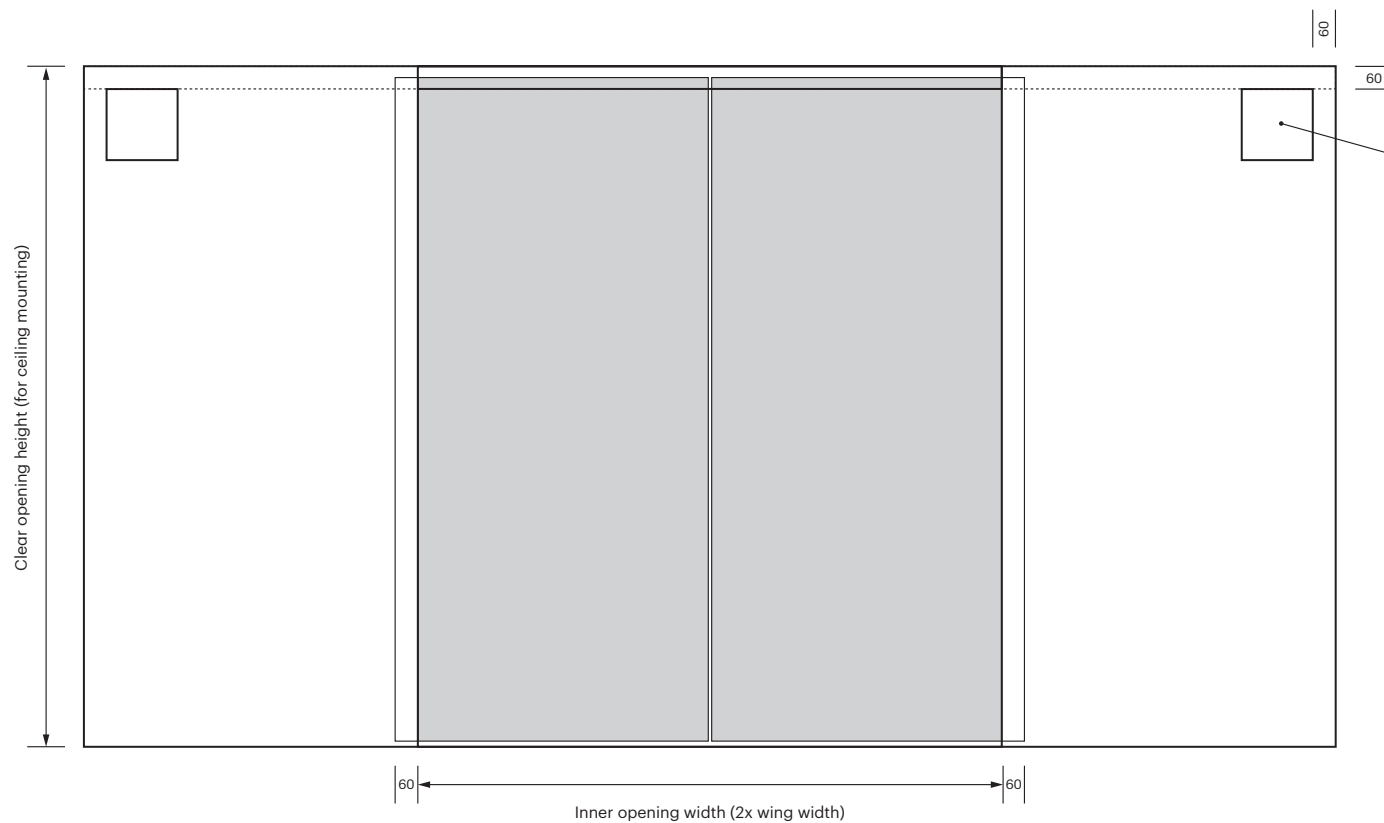


# Planning guide

## In a wall / bottom-running system

**i** All dimensions in millimeters

Variant 2 (2-wing bottom-running system)



EA 011000100  
Revision flap 300 x 300 mm for  
12.5 mm planking thickness  
(Not included in delivery. Please  
order sep. in the article store)

# Planning guide

## In a wall / bottom-running system

**i** All dimensions in millimeters

