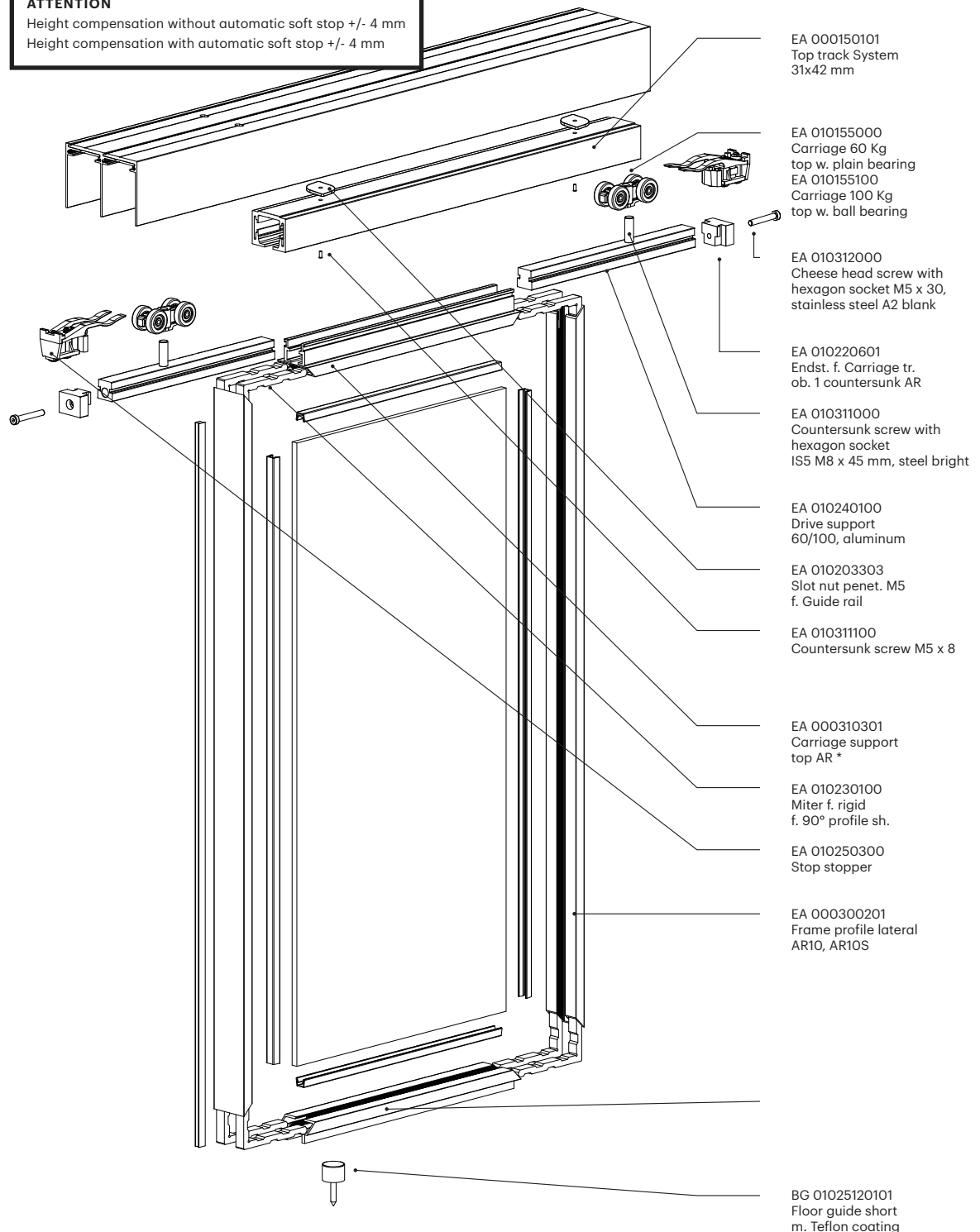


Aluminum frame sliding door

AR10S top running

ATTENTION

Height compensation without automatic soft stop +/- 4 mm
 Height compensation with automatic soft stop +/- 4 mm

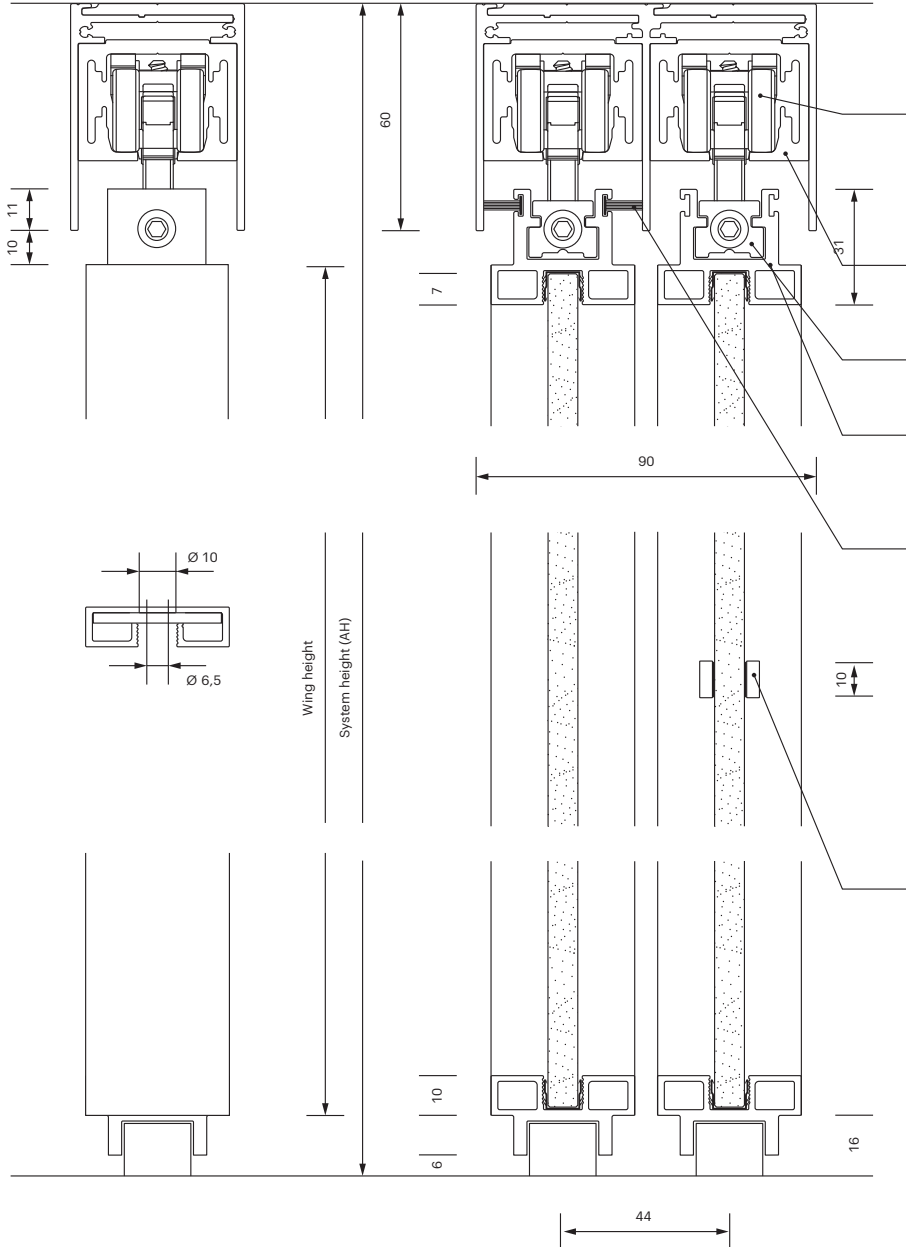


* Gluing note:
The corner connectors are
glued to the carriage
and the lateral frame profile.

Aluminum frame sliding door

AR10S top running

i All dimensions in millimeters



Wing dimension

Wing width (FB)
 $AB + (\text{number of projections} \times 10 \text{ mm})$: Number of wings

 Wing height
 AH -87 mm

Filling dimension

Filling width
 FB -6 mm

 Filling height
 AH -93 mm

EA 010155000
 trolley 60 Kg
 top w. plain bearing
 EA 010155100
 Carriage 100 Kg
 top w. ball bearing

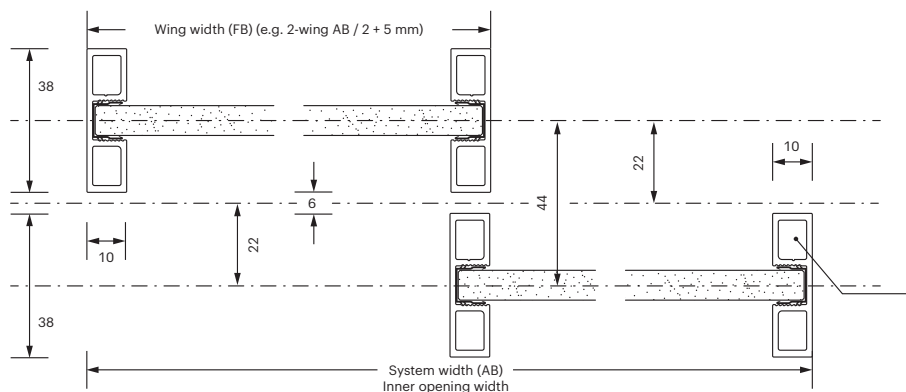
EA 000150101
 Runner topl.
 System 31x42 mm

EA 010240100
 Running gear support
 60/100, aluminum

EA 000310301
 Carriage support top AR

EZ 020200601
 Brush seal
 8 mm Gray

EA 000410201
 Rung flat profile
 10 x 3 mm



EA 000300201
 Frame profile lateral
 AR10, AR10S