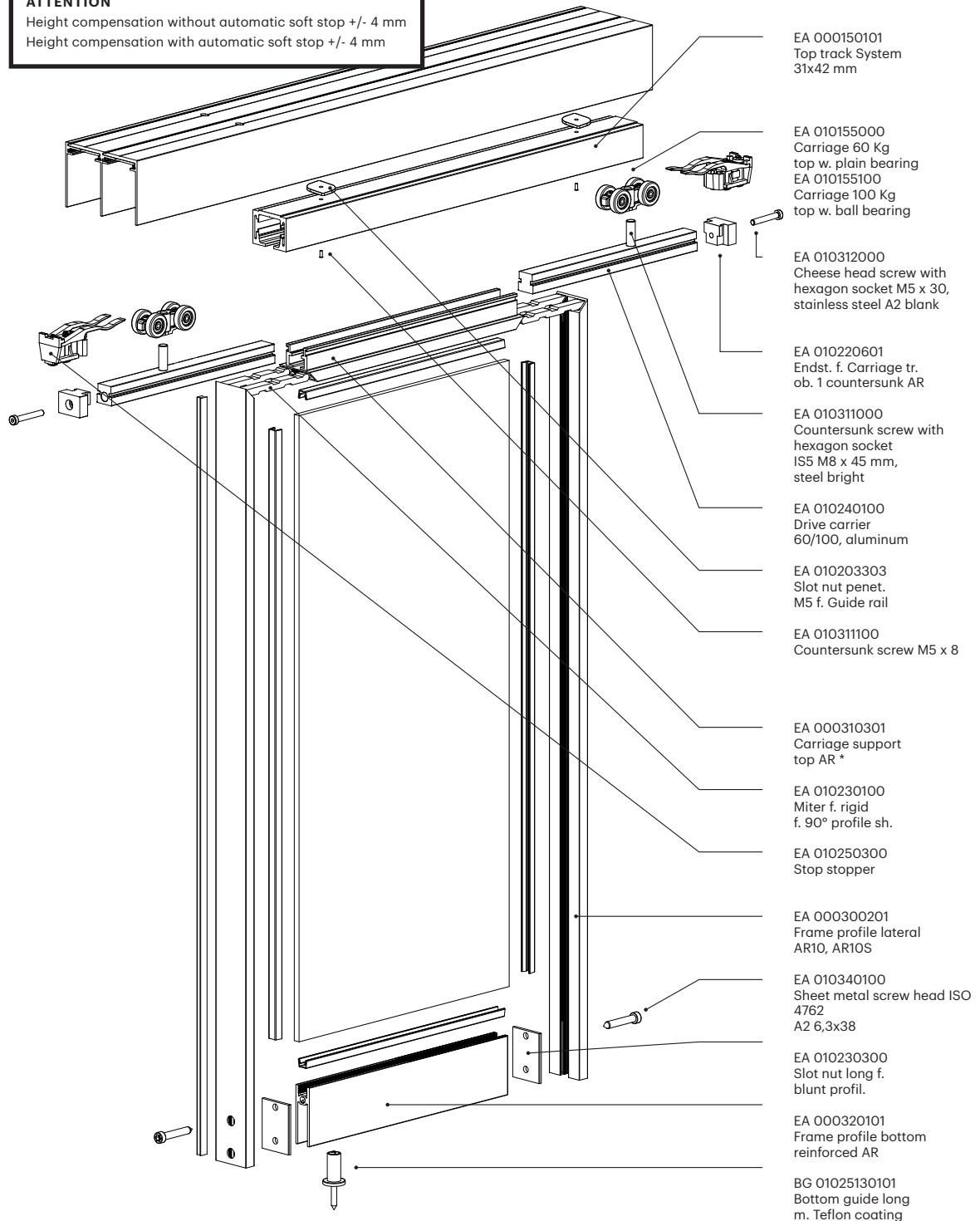


Aluminum frame sliding door

AR10 top running

ATTENTION

Height compensation without automatic soft stop +/- 4 mm
 Height compensation with automatic soft stop +/- 4 mm



EA 000150101
Top track System
31x42 mm

EA 010155000
Carriage 60 Kg
top w. plain bearing
EA 010155100
Carriage 100 Kg
top w. ball bearing

EA 010312000
Cheese head screw with
hexagon socket M5 x 30,
stainless steel A2 blank

EA 010220601
Endst. f. Carriage tr.
ob. 1 countersunk AR

EA 010311000
Countersunk screw with
hexagon socket
IS5 M8 x 45 mm,
steel bright

EA 010240100
Drive carrier
60/100, aluminum

EA 010203303
Slot nut penet.
M5 f. Guide rail

EA 010311100
Countersunk screw M5 x 8

EA 000310301
Carriage support
top AR *

EA 010230100
Miter f. rigid
f. 90° profile sh.

EA 010250300
Stop stopper

EA 000300201
Frame profile lateral
AR10, AR10S

EA 010340100
Sheet metal screw head ISO
4762
A2 6,3x38

EA 010230300
Slot nut long f.
blunt profil.

EA 000320101
Frame profile bottom
reinforced AR

BG 01025130101
Bottom guide long
m. Teflon coating

* Gluing note:
The corner connectors are
with the trolley carrier and
the lateral frame profile.

